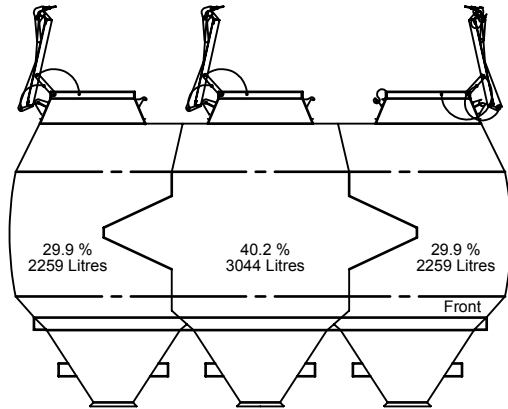
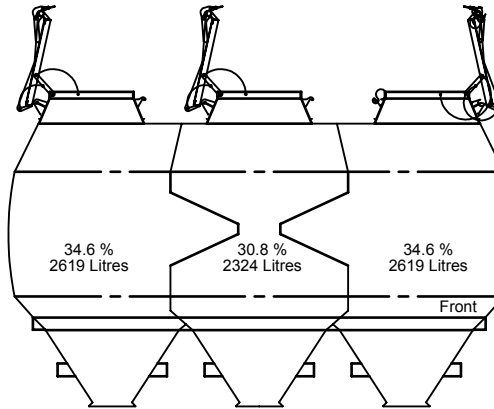


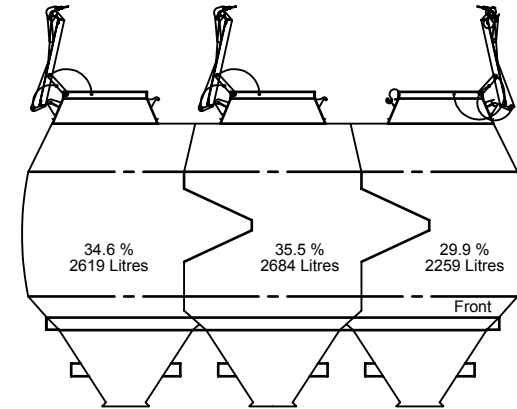
DO NOT SCALE - IF IN DOUBT ASK



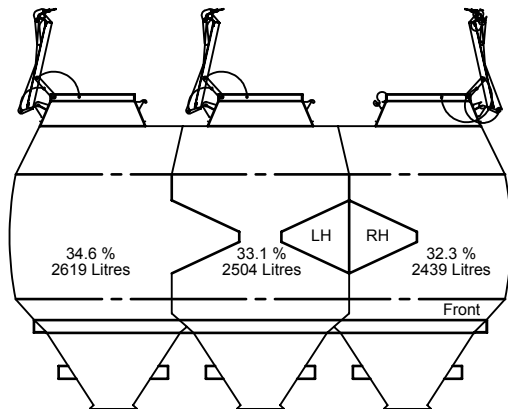
Split 1



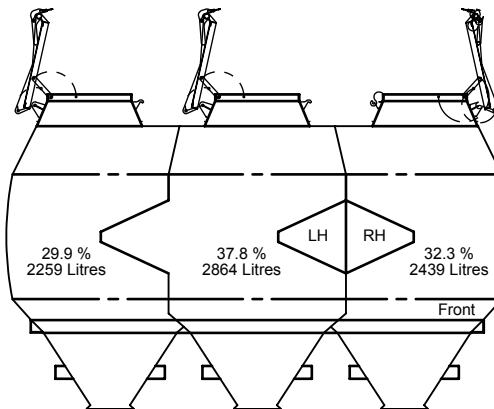
Split 2



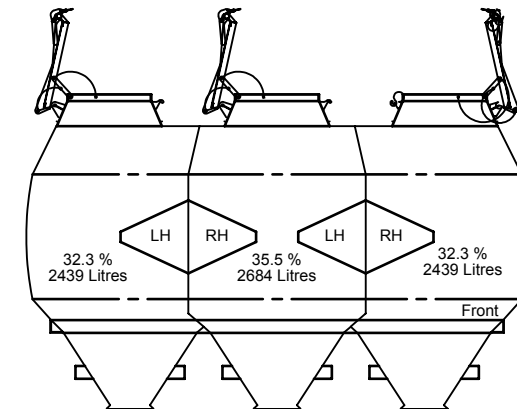
Split 3



Split 4



Split 5



Split 6

7000 Triple Bin

Total Usable Volume Given
a 25 Degree Angle of Repose is:
7562 Litres

Fabrication Note

Finish:

General Tolerances

Linear Dimensions
X ±1mm (whole numbers)
X.X ±0.5mm (one decimal place)
X.XX ±0.25mm (two decimal places)
Angular Dimensions
All Angles ±2°

This drawing is the property of
Simplicity (Australia) Pty. Ltd.
It must not be used for any
purpose other than that for
which it is supplied.
Reproduction in whole or
part is prohibited without
written authority from
Simplicity (Australia) Pty. Ltd.

DRN:
DATE:
APPRD:
DATE: / /
SCALE: 1:45



SIMPLICITY (AUSTRALIA) PTY LTD	
18 LOUDOUN RD DALBY 4405	PH (07) 4662 2977
FAX (07) 4660 6050	
Simplicity Australia Bin Splits 7000 Triple Bin Splits	
DRAWING NUMBER	REV
7000 Triple Bin Splits	SHEET 1 OF 1
A4	